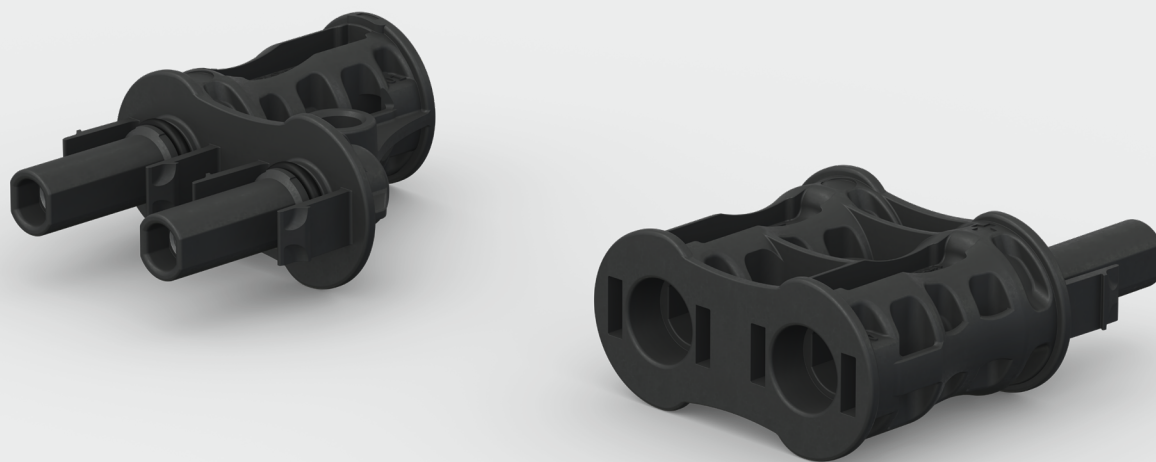


Branch connector MC4-Evo 2

Solarline | Connectors for renewable energy

EN

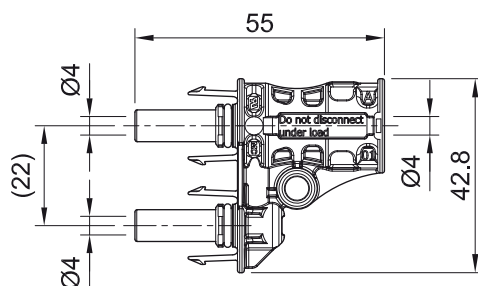


Branch connector MC4-Evo 2

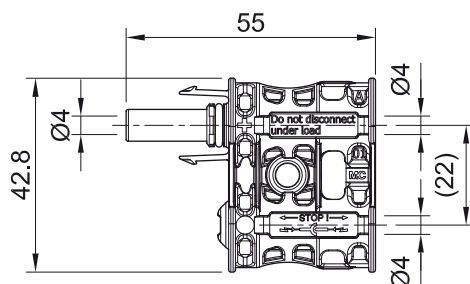
World's first dual certified DC 1500 V branch connector

- Plug-and-play: no crimping or torquing necessary
- Versatility and compact dimensions
- Mating compatibility with original MC4 and MC4-Evo 2 cable connectors
- DC 1500 V according to IEC 62852 and UL 6703
- Resistance to salt mist spray
- Proven MULTILAM Technology with high long-term stability which ensures consistently low performance loss throughout the entire service life of the connector

PV-AZB4-EVO 2-UR



PV-AZS4-EVO 2-UR



Order No.	Type	Description
32.0196	PV-AZB4-EVO 2-UR	Branch socket MC4-Evo 2
32.0197	PV-AZS4-EVO 2-UR	Branch plug MC4-Evo 2


Accessories

32.0716	PV-BVK4	Sealing cap, suitable for socket side
32.0717	PV-SVK4	Sealing cap, suitable for plug side
32.6066	PV-MS-MC4-EVO	Unlocking tool



Assembly Instructions MA292

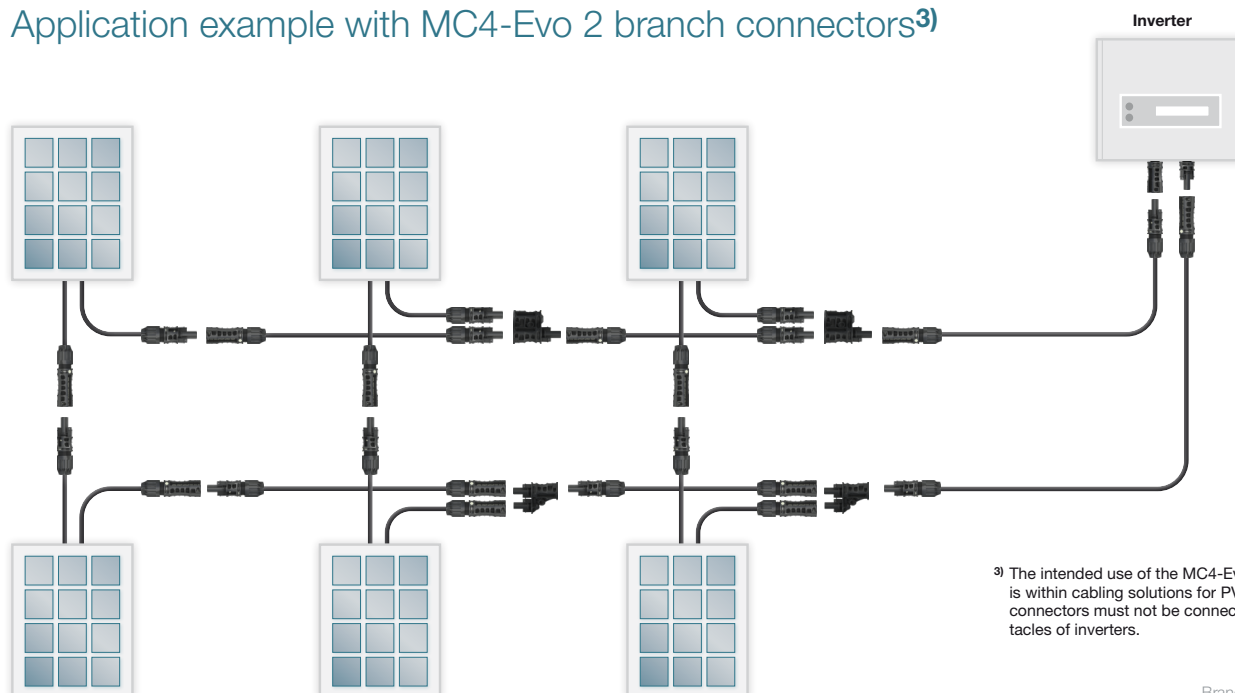
www.staubli.com/electrical

Technical data	
Rated voltage	DC 1500 V (according to IEC 62852: 2014 + AMD1:2020) DC 1500 V (according to UL 6703)
Test voltage	8 kV ²⁾
Rated impulse voltage	16 kV
Rated current IEC	60 A ¹⁾
Rated current UL	50 A ¹⁾
Ambient temperature range (IEC)	-40 °C ... + 85 °C
Ambient temperature range (UL)	-40 °C ... + 90 °C
Upper limiting temperature IEC	115 °C ¹⁾
Degree of protection, mated unmated	IP65/IP68 (1 m, 1 h) IP2X
Pollution degree	3
Contact resistance of plug connectors	< 0,5 mΩ
Safety class	II
Contact system	MULTILAM
Contact material	Copper, tin plated
Insulation material	PA
Locking system	Locking type
Flame class	UL94-V0
Salt mist spray test, degree of severity 6, according to IEC 60068-2-52	Yes
Ammonia resistance (according to DLG)	Pending
UV resistance (according to ISO 4892-2/3)	Yes
TÜV Rheinland certified according IEC62852:2014+AMD1:2020	R 60149724
UL certified according UL6703	E343181
Compatible with connector type	Original MC4 Original MC4-Evo 2
Maximum altitude above sea level for operation	5000 m; AK 60159400
	CE declaration of conformity

1) The voltage and current rating, as well as the upper limiting temperature are limited to the corresponding mating connector from Stäubli. For detailed specification refer to MA292.

2) Rated voltage 1000 V and test voltage 6 kV
Rated voltage 1500 V and test voltage 8 kV

Application example with MC4-Evo 2 branch connectors³⁾



³⁾ The intended use of the MC4-Evo 2 branch connector is within cabling solutions for PV-Systems. Yet, branch connectors must not be connected directly to panel receptacles of inverters.



● Stäubli Units ○ Representatives/Agents

Global presence of the Stäubli Group

www.staubli.com